

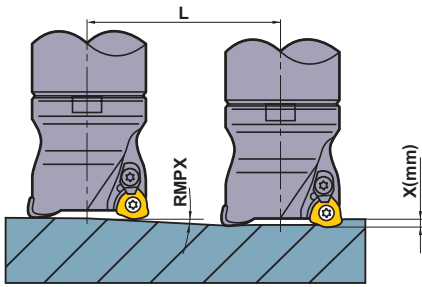
RECOMMENDED CUTTING CONDITIONS

CUTTING SPEED

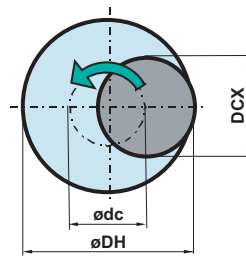
Workpiece Material	Characteristics	Cutting Speed (m/min) for Different Grades				
P		FH7020	MP6120	MP6130	VP30RT	
	Mild Steels	Hardness ≤180HB	170 (120–220)	150 (100–200)	130 (80–180)	110 (60–160)
	Carbon Steels Alloy Steels	Hardness 180–280HB	150 (100–200)	130 (80–180)	110 (60–160)	90 (40–140)
	Carbon Steels Alloy Steels	Hardness 280–350HB	130 (80–180)	100 (50–150)	80 (30–130)	60 (20–110)
	Alloy Tool Steels	Hardness ≤350HB (Annealing)	130 (80–180)	100 (50–150)	80 (30–120)	60 (20–90)
Pre-hardened Steels	Hardness 35–45HRC	–	100 (70–130)	80 (50–110)	80 (30–90)	
M		MP7130	MP7140			
	Stainless Steels	Hardness ≤270HB	140 (100–180)	120 (80–160)	–	–
K		FH7020	VP15TF			
	Gray Cast Irons	Tensile Strength ≤350MPa	150 (100–200)	–	–	–
	Ductile Cast Irons	Tensile Strength ≤800MPa	–	120 (80–160)	–	–
S		MP9120	MP9130	MP9140		
	Heat Resistant Alloys	Hardness ≤350HB	30 (20–40)	25 (20–35)	20 (15–30)	–
	Titanium Alloys	–	50 (40–60)	45 (30–55)	40 (30–50)	–
H		VP15TF				
	Hardened Steels	Hardness 40–55HRC	70 (50–90)	–	–	–

MAXIMUM CAPACITIES BY MODE

■ RAMPING



■ HELICAL DRILLING



- How to derive a locus of the centre of the tool.

$$\text{ødc} = \text{øDH} - \text{DCX}$$

Locus of the centre of the tool Desired hole diameter Cutting Diameter Maximum

- For the depth of cut per pass, refer to the cutting conditions above for helical drilling.
- Set the machine spindle revolution so that the tool is rotating and cutting in a down cut direction.

- When ramping and helical cutting, please apply a lower feed.
- When drilling, please set the feed in the axial direction at 0.2mm/rev or less.
- The long chips generated can disperse, ensure that adequate safety precautions are taken.

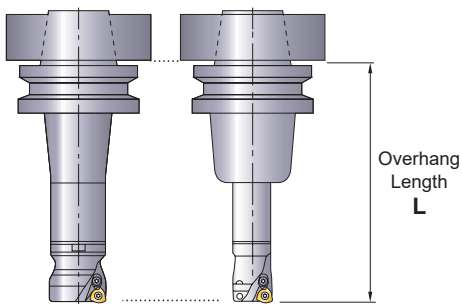
Tool Holder Type	DCX (mm)	DC (mm)	APMX (mm)		RMPX	Ramping				Helical Drilling		AZ (mm)	
			FT/JM/ST Breaker	JL Breaker		L Required distance for X mm depth				DH (mm)			
						X=1	X=1.2	X=1.5	X=2	Min	Max		
Shank type/Screw-in type	AJX06	16	8.9	1.0	0.6	3°	19.1	—	—	—	23	29	0.3
	AJX06	17	9.9	1.0	0.6	2.5°	22.9	—	—	—	25	31	0.3
	AJX06	20	12.9	1.0	0.6	1.5°	38.2	—	—	—	31	37	0.3
	AJX06	22	14.9	1.0	0.6	1°	57.3	—	—	—	35	41	0.3
	AJX08	20	11.4	1.5	0.9	3.5°	16.3	19.6	24.5	—	27	36	0.5
	AJX08	22	13.4	1.5	0.9	3°	19.1	22.9	28.6	—	31	40	0.5
	AJX08	25	16.4	1.5	0.9	2°	28.6	34.4	43.0	—	37	46	0.5
	AJX08	28	19.4	1.5	0.9	1.7°	33.7	40.4	50.5	—	43	52	0.5
	AJX09	25	14.9	2.0	1.2	4°	14.3	17.2	21.5	28.6	33	46	1.0
	AJX09	28	17.9	2.0	1.2	3°	19.1	22.9	28.6	38.1	39	52	1.0
	AJX09	30	20.0	2.0	1.2	2.7°	21.2	25.4	31.8	42.4	43	56	1.0
	AJX09	32	21.9	2.0	1.2	2.5°	22.9	27.5	34.4	45.8	47	60	1.0
	AJX09	35	24.9	2.0	1.2	2°	28.6	34.4	43.0	57.3	53	66	1.0
	AJX09	40	29.9	2.0	1.2	1.5°	38.2	45.8	57.3	76.4	63	76	1.0
	AJX12	30	18.3	2.0	1.2	4.5°	12.7	15.2	19.0	25.4	39	56	1.5
	AJX12	32	20.3	2.0	1.2	4°	14.3	17.2	21.4	28.6	41	60	1.5
	AJX12	35	23.3	2.0	1.2	3.5°	16.3	19.6	24.5	32.7	47	66	1.5
	AJX12	40	28.3	2.0	1.2	3°	19.1	22.9	28.6	38.2	57	76	1.5
	AJX14	50	38.2	2.0	1.2	4.2°	13.6	16.3	20.4	27.2	72	96	2.0
	AJX14	63	51.1	2.0	1.2	2.8°	20.4	24.5	30.7	40.9	98	122	2.0
Arbor type	AJX06	32	24.9	1.0	0.6	0.5°	114.6	137.5	171.9	229.2	51	61	0.3
	AJX08	40	31.4	1.5	0.9	1°	57.3	68.7	85.9	114.6	65	76	0.5
	AJX08	42	33.4	1.5	0.9	0.9°	63.7	76.4	95.5	127.3	69	80	0.5
	AJX08	50	41.4	1.5	0.9	0.7°	81.8	98.2	122.8	163.7	85	96	0.5
	AJX08	52	43.4	1.5	0.9	0.7°	81.8	98.2	122.8	163.7	89	100	0.5
	AJX09	50	40.0	2.0	1.2	1.1°	52.1	62.5	78.1	104.2	83	96	1.0
	AJX09	52	41.9	2.0	1.2	1°	57.3	68.7	85.9	114.6	85	100	1.0
	AJX09	63	52.9	2.0	1.2	0.8°	71.6	85.9	107.4	143.2	107	122	1.0
	AJX09	66	55.9	2.0	1.2	0.8°	71.6	85.9	107.4	143.2	113	128	1.0
	AJX12	50	38.3	2.0	1.2	2°	28.6	34.4	43.0	57.3	77	96	1.5
	AJX12	63	51.3	2.0	1.2	1.5°	38.2	45.8	57.3	76.4	103	122	1.5
	AJX12	66	54.3	2.0	1.2	1.4°	40.9	49.1	61.4	81.8	109	128	1.5
	AJX12	80	68.3	2.0	1.2	1.1°	52.1	62.5	78.1	104.2	137	156	1.5
	AJX12	100	88.3	2.0	1.2	0.8°	71.6	85.9	107.4	143.2	177	196	1.5
	AJX14	63	51.1	2.0	1.2	2.8°	20.4	24.5	30.7	40.9	98	122	2.0
	AJX14	66	54.1	2.0	1.2	2.6°	22.0	26.4	33.0	44.0	108	128	2.0
	AJX14	80	68.1	2.0	1.2	1.8°	31.8	38.2	47.7	63.6	132	156	2.0
	AJX14	100	88.1	2.0	1.2	1.2°	47.7	57.3	71.6	95.5	172	196	2.0
	AJX14	125	113.2	2.0	1.2	0.8°	71.6	85.9	107.4	143.2	222	246	2.0
	AJX14	160	148.2	2.0	1.2	0.5°	114.6	137.5	171.9	229.2	292	316	2.0

RECOMMENDED CUTTING CONDITIONS

DEPTH OF CUT / FEED

Workpiece Material	Characteristics	Shank Type / Screw-in Type									
		DCX=ø16, ø17			DCX=ø20, ø22			DCX=ø25, ø28			
		L (mm)	ap (mm)	fz (mm/t)	L (mm)	ap (mm)	fz (mm/t)	L (mm)	ap (mm)	fz (mm/t)	
P	Mild Steel	Hardness ≤180HB	140	0.8	0.8	160	1.0	1.0	170	1.0	1.2
			180	0.6	0.6	210	0.8	0.8	230	0.8	1.0
			210	0.4	0.4	240	0.6	0.6	290	0.6	0.8
	Carbon Steel Alloy Steel	Hardness 180–280HB	140	0.8	0.8	160	1.0	1.0	170	1.0	1.2
			180	0.6	0.6	210	0.8	0.8	230	0.8	1.0
			210	0.4	0.4	240	0.6	0.6	290	0.6	0.8
	Carbon Steel Alloy Steel	Hardness 280–350HB	140	0.7	0.8	160	0.8	1.0	170	0.8	1.2
			180	0.5	0.6	210	0.6	0.8	230	0.6	1.0
			210	0.3	0.4	240	0.4	0.6	290	0.4	0.8
	Alloy Tool Steel	Hardness ≤350HB	140	0.7	0.8	160	0.8	1.0	170	0.8	1.2
			180	0.5	0.6	210	0.6	0.8	230	0.6	1.0
			210	0.3	0.4	240	0.4	0.6	290	0.4	0.8
	Pre-hardened Steel	Hardness 35–45HRC	140	0.7	0.7	160	0.8	0.8	170	0.8	1.0
			180	0.5	0.5	210	0.6	0.6	230	0.6	0.8
			210	0.3	0.3	240	0.4	0.4	290	0.4	0.6
M	Stainless Steel	Hardness ≤270HB	140	0.8	0.7	160	1.0	0.8	170	1.0	1.0
			180	0.6	0.5	210	0.8	0.6	230	0.8	0.8
			210	0.4	0.3	240	0.6	0.4	290	0.6	0.6
K	Gray Cast Iron	Tensile Strength ≤350MPa	140	0.8	1.0	160	1.0	1.2	170	1.0	1.4
			180	0.6	0.8	210	0.8	1.0	230	0.8	1.2
			210	0.4	0.6	240	0.6	0.8	290	0.6	1.0
	Ductile Cast Iron	Tensile Strength ≤800MPa	140	0.7	0.8	160	0.8	1.0	170	0.8	1.2
			180	0.5	0.6	210	0.6	0.8	230	0.6	1.0
			210	0.3	0.4	240	0.4	0.6	290	0.4	0.8
S	Heat Resistant Alloy	Hardness ≤350HB	140	0.6	0.6	160	0.8	0.6	170	1.0	0.6
	Titanium Alloy	—	180	0.4	0.4	210	0.6	0.4	230	0.8	0.4
H	Hardened Steel	Hardness 40–55HRC	210	0.3	0.3	240	0.4	0.3	290	0.6	0.3
			140	0.5	0.5	160	0.5	0.6	170	0.5	0.8
			180	0.4	0.3	210	0.4	0.4	230	0.4	0.6
			210	0.3	0.2	240	0.3	0.2	290	0.3	0.4

① Overhang Length L



② Main Spindle Revolution

$$n(\text{min}^{-1}) = (\text{Recommended Cutting Speed} \times 1000) \div (\text{DCX} \times 3.14)$$

③ Table Feed Rate

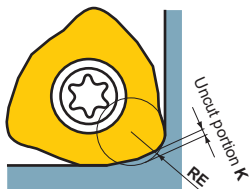
$$vf(\text{mm}/\text{min}) = n \times \text{Feed per Tooth} \times \text{Number of Teeth}$$

- ④ Recommended width of cut (ae) is more than 60% of the cutting edge diameter (DCX).
- ⑤ The above cutting conditions are guides to cutting on a #50 BT machine. In case of #40 BT and #63 HSK machines, a cutting edge diameter of under 35mm is recommended. In this case, reduce the depth of cut and table feed rate.
- ⑥ Use of ST chipbreaker with tougher cutting edges is recommended for machining parts that require interrupted cutting. First recommended insert grade for non-standard 06/08/09 ST chipbreakers is VP30RT irrespective of the workpiece material.
- ⑦ Cutter body with coarse pitch is recommended for the unstable cutting caused by the long tool overhang.
- ⑧ Use the "sharp" JM chipbreaker to lower cutting forces or when long tool overhangs are used.
- ⑨ Heavy chips are generated when machining with the AJX. To avoid chip jamming-related problems, use air blower while machining to discharging chips effectively.
- ⑩ The maximum depth of cut of JL breaker is different in the insert size. 06 size is up to 0.6mm, 08 size is up to 0.9mm, and 09,12,14 size is up to 1.2mm.

	Shank Type / Screw-in Type												Arbor Type					
	DCX=ø30, ø32, ø35			DCX=ø40 (ø32 Shank)			DCX=ø40 (ø42 Shank)			DCX=ø50, ø63			DCX=ø50, ø63, ø66			DCX≥ø80		
	L (mm)	ap (mm)	fz (mm/t)	L (mm)	ap (mm)	fz (mm/t)	L (mm)	ap (mm)	fz (mm/t)	L (mm)	ap (mm)	fz (mm/t)	L (mm)	ap (mm)	fz (mm/t)	L (mm)	ap (mm)	fz (mm/t)
180	1.2	1.4	1.4	180	1.2	1.4	180	1.2	1.5	180	1.4	1.5	150	1.5	1.5	170	1.5	1.5
230	1.0	1.2	1.2	240	1.0	1.2	240	1.0	1.3	240	1.2	1.3	250	1.3	1.3	300	1.3	1.3
290	0.8	1.0	1.0	300	0.8	1.0	300	0.8	1.1	—	—	—	350	1.1	1.1	450	1.0	1.0
180	1.2	1.4	1.4	180	1.2	1.4	180	1.2	1.5	180	1.4	1.5	150	1.5	1.5	170	1.5	1.5
230	1.0	1.2	1.2	240	1.0	1.2	240	1.0	1.3	240	1.2	1.3	250	1.3	1.3	300	1.3	1.3
290	0.8	1.0	1.0	300	0.8	1.0	300	0.8	1.1	—	—	—	350	1.1	1.1	450	1.0	1.0
180	1.0	1.4	1.4	180	1.0	1.4	180	1.0	1.5	180	1.2	1.5	150	1.3	1.5	170	1.3	1.5
230	0.8	1.2	1.2	240	0.8	1.2	240	0.8	1.3	240	1.0	1.3	250	1.1	1.3	300	1.1	1.3
290	0.6	1.0	1.0	300	0.6	1.0	300	0.6	1.1	—	—	—	350	0.9	1.1	450	0.8	1.0
180	1.0	1.4	1.4	180	1.0	1.4	180	1.0	1.5	180	1.2	1.5	150	1.3	1.5	170	1.3	1.5
230	0.8	1.2	1.2	240	0.8	1.2	240	0.8	1.3	240	1.0	1.3	250	1.1	1.3	300	1.1	1.3
290	0.6	1.0	1.0	300	0.6	1.0	300	0.6	1.1	—	—	—	350	0.9	1.1	450	0.8	1.0
180	1.0	1.2	1.2	180	1.0	1.2	180	1.0	1.3	180	1.2	1.3	150	1.3	1.3	170	1.3	1.3
230	0.8	1.0	1.0	240	0.8	1.0	240	0.8	1.1	240	1.0	1.1	250	1.1	1.1	300	1.1	1.1
290	0.6	0.8	0.8	300	0.6	0.8	300	0.6	0.9	—	—	—	350	0.9	0.9	450	0.8	0.8
180	1.2	1.2	1.2	180	1.2	1.2	180	1.2	1.3	180	*1.4	1.3	150	*1.5	1.3	170	*1.5	1.3
230	1.0	1.0	1.0	240	1.0	1.0	240	1.0	1.1	240	1.2	1.1	250	*1.3	1.1	300	*1.3	1.1
290	0.8	0.8	0.8	300	0.8	0.8	300	0.8	0.9	—	—	—	350	1.1	0.9	450	1.0	0.8
180	1.2	1.6	1.6	180	1.2	1.6	180	1.2	1.7	180	1.4	1.7	150	1.5	1.7	170	1.5	1.7
230	1.0	1.4	1.4	240	1.0	1.4	240	1.0	1.5	240	1.2	1.5	250	1.3	1.5	300	1.3	1.5
290	0.8	1.2	1.2	300	0.8	1.2	300	0.8	1.3	—	—	—	350	1.1	1.3	450	1.0	1.2
180	1.0	1.4	1.4	180	1.0	1.4	180	1.0	1.5	180	1.2	1.5	150	1.3	1.5	170	1.3	1.5
230	0.8	1.2	1.2	240	0.8	1.2	240	0.8	1.3	240	1.0	1.3	250	1.1	1.3	300	1.1	1.3
290	0.6	1.0	1.0	300	0.6	1.0	300	0.6	1.1	—	—	—	350	0.9	1.1	450	0.8	1.0
180	1.2	0.6	0.6	180	1.2	0.6	180	1.2	0.6	180	1.2	0.6	150	1.2	0.6	170	1.2	0.6
230	1.0	0.4	0.4	240	1.0	0.4	240	1.0	0.4	240	1.0	0.4	250	1.0	0.4	300	1.0	0.4
290	0.8	0.3	0.3	300	0.8	0.3	300	0.8	0.3	—	—	—	350	0.8	0.3	450	0.8	0.3
180	0.6	1.0	1.0	180	0.6	1.0	180	0.6	1.1	180	0.8	1.1	150	0.9	1.1	170	0.9	1.1
230	0.5	0.8	0.8	240	0.5	0.8	240	0.5	0.9	240	0.6	0.9	250	0.7	0.9	300	0.7	0.9
290	0.4	0.6	0.6	300	0.4	0.6	300	0.4	0.7	—	—	—	—	—	—	—	—	—

* Depth of cut of JL breaker is up to 1.2 mm.

NOTE FOR PROGRAMMING



When using the AJX, please programme as an R3 radius cutter. The approximate radius RE and uncut amount K at that time are as shown on the table to the right.

Insert Size	Breaker	Approx. RE (mm)	Uncut Portion K (mm)
06	FT / JM	2.0	0.33
	JL	2.5	0.32
08	FT / JM	2.5	0.46
	JL	2.0	0.40
09	FT / JM	3.0	0.47
	JL	3.0	0.46
12	FT / JM / ST	3.0	0.63
	JL	3.0	0.53
14	FT / JM / ST	3.0	0.64
	JL	3.0	0.55

Note 1) The uncut portion may change slightly depending on cutting conditions.